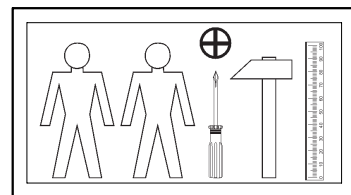
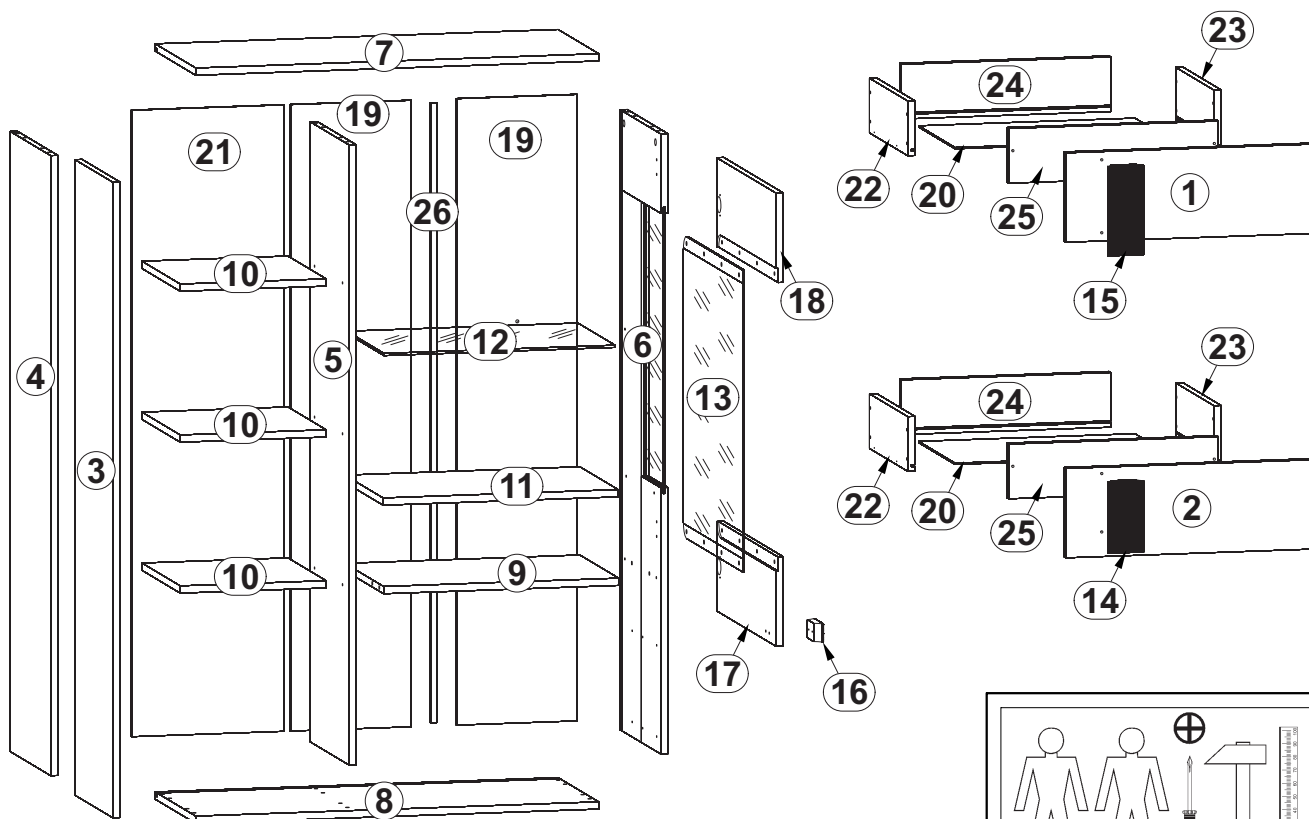
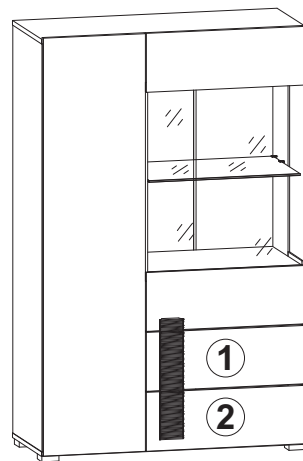


A	B	C	D	A	B	C	D		
1	S190-022	546	196	6/7	14	S190-553	156	80	3/7
2	S190-023	546	196	6/7	15	S190-554	196	80	3/7
3	S190-021	1394	346	7/7	16	S190-555	40	80	3/7
4	S190-115	1360	371	1/7	17	S190-706	546	196	6/7
5	S190-116	1360	355	1/7	18	S190-710	546	196	6/7
6	S190-119	1360	371	1/7	19	S190-912	1374	269	1/7
7	S190-215	900	371	2/7	20	S190-919	483	333	2/7
8	S190-216	900	371	2/7	21	S190-920	1374	340	1/7
9	S190-309	525	355	2/7	22	S190-505	350	120	2/7
10	S190-312	326	350	2/7	23	S190-506	350	120	2/7
11	S190-313	525	350	2/7	24	S190-511	468	120	2/7
12	S190-562	516	340	4/7	25	S190-512	468	120	2/7
13	S190-560	541	662	5/7	26	LH-1359	1359	14	1/7



5x  a44	5x  b19	16x  d1 φ5x17 mm	4x  d12	6x  e1 φ7x50 mm	26x  e3 φ6x13 mm	16x  e32 φ5x50 mm	16x  f1 φ8x30 mm
8x  j3 M4x12 mm	4x  j30 M4x22 mm	5x  k82 1	5x  k82 2	32x  l1	16x  l2	1x  n26 1	2x  o99 2
1x  o99 1	8x  o54 φ5,3/φ8,3x4,8mm	1x  p38 φ3,5x16 mm	10x  p51 φ3,5x15 mm	8x  p54 φ3x12 mm	1x  p90 φ4x28 mm	5x  p94 φ4x28 mm	
10x  r1 φ15x12mm #16	4x  r31 φ21x10mm	10x  r42 20/11	6x  s2 φ16	2x  w45 <sup>CL</sup> 350 mm	2x  w45 <sup>CR</sup> 350 mm	2x  w45 <sup>DL</sup> 350 mm	2x  w45 <sup>DR</sup> 350 mm
1x  z1							

# 1

